

Datasheet

# SATADOM-ML 3SE-P series

- SATA 6Gb/s interface
- iSMART disk health monitoring
- Intelligent error recovery system
- Excellent data transfer speed
- Dram buffer
- Write protection security
- Zero mechanical interference
- Anti-vibration mechanical design



## Introduction

Innodisk SATADOM-ML 3SE-P is designed as the standard SATA 7 pin connector with SATA interface, and supports SATA III standard (6.0Gb/s) with excellent performance. Regarding of mechanical interference, Innodisk SATADOM-ML 3SE-P absolutely replaces the traditional hard disk and makes personal computer, in any field, smaller and easier.

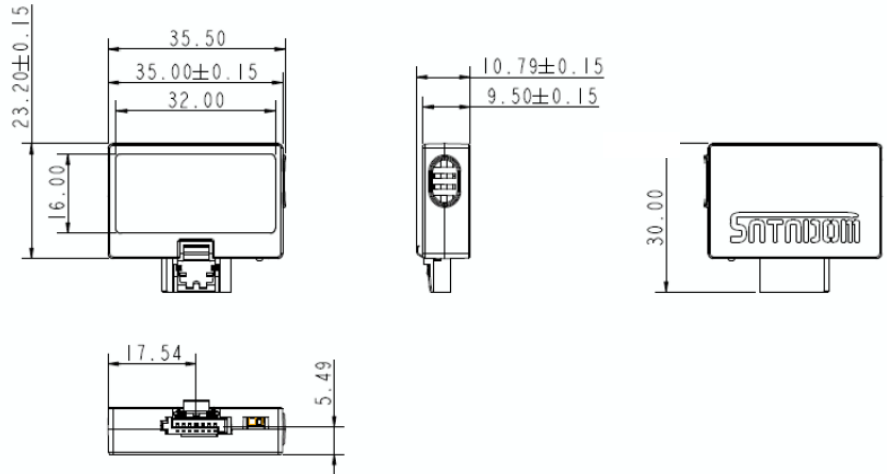
Innodisk SATADOM-ML 3SE-P effectively reduces the booting time of operation system and the power consumption is less than hard disk drive (HDD), and complies with ATA protocol, no additional drives are required, and can be configured as a boot device or data storage device.

# SATADOM-ML 3SE-P series

Contact us for more information about the SATADOM-ML 3SE-P.

Innodisk is a service-driven provider of industrial embedded flash storage and Dram products and technologies, with a focus on the cloud computing, industrial/embedded, and aerospace and defense industries.

## Diagram



## Specifications

Interface	SATA III
Flash Type	SLC
P/E cycle	100,000
Capacity	4GB~64GB
Max. Channels	4
Sequential R/W (MB/sec, max.)	480/240
Max. Power Consumption	2W (5V x 400mA )
Thermal Sensor	WT only
Extended DRAM buffer	-
H/W Write Protect	√
ATA Security	√
S.M.A.R.T.	√
Dimension (WxLxH)	35.5 X 30 X 9.5 mm
Environment	Vibration: 20G @7~2000Hz Shock: 1500G @ 0.5ms Storage Temperature: -55°C ~ +95°C MTBF: 3 million hours

### Headquarters (Taiwan)

5F., No. 237, Sec. 1, Datong Rd., Xizhi Dist., New Taipei City, Taiwan (R.O.C.)  
Tel: +886-2-26963000  
Email: sales@innodisk.com

### Branch Offices:

USA  
[usasales@innodisk.com](mailto:usasales@innodisk.com)  
+1-510-770-9421

Europe  
[eusales@innodisk.com](mailto:eusales@innodisk.com)  
+31-(0)40-282-1818

Japan  
[jpsales@innodisk.com](mailto:jpsales@innodisk.com)  
+81-45-594-7581

China  
[sales\\_cn@innodisk.com](mailto:sales_cn@innodisk.com)  
+86-755-21673689  
[www.innodisk.com](http://www.innodisk.com)

© 2014 Innodisk Corporation.  
All right reserved. Specifications are subject to change without prior notice.

## Ordering Information

Operation Temp.	8GB	16GB	32GB	64GB
Standard Grade (0°C ~ +70°C)	DESML-08GD67SCAQB(F)	DESML-16GD67SCAQB(F)	DESML-32GD67SCAQB(F)	DESML-64GD67SCAQB(F)
Industrial Grade (-40°C ~ +85°C)	DESML-08GD67SWAQB(F)	DESML-16GD67SWAQB (F)	DESML-32GD67SWAQB(F)	DESML-64GD67SWAQB(F)