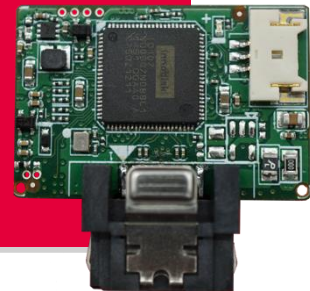


Datasheet

# SATADOM-SL 3IE3 V2 series

- iSLC technology
- Built-in Pin 8 power supply
- Best boot drive solution for server and embedded system
- SATA 6Gb/s interface
- High IOPS to reduce boot up timing
- DRAM-less, 100% data integrity
- Innovative Firmware Algorithm
- Anti-vibration mechanical design
- Built in iData Guard



## Introduction

Innodisk Serial ATA Disk on Module (SATADOM) supports SATA III standard (6.0Gb/s) interface with excellent performance, and SATADOM-SL 3IE3 V2 is designed as the smallest form factor size that could enhance compatibility with various design applications.

The innovative Pin8 uses the SATA connector itself as a power supply to drive the device without external cables. It could be connected directly to the SATA on-board socket on customers' system without additional power cable. Besides, the booting time for operation and the power consumption is less than hard disk drive (HDD), and can work under harsh environment compile with ATA protocol, no additional drives are required, and the SSD can be configured as a boot device or data storage device.

# SATADOM-SL

## 3IE3 V2 series

Contact us for more information about the SATADOM-SL 3IE3 V2.

Innodisk is a service-driven provider of industrial embedded flash storage products and technologies, with a focus on the cloud computing, industrial/embedded, and aerospace and defense industries.

### Headquarters (Taiwan)

5F., No. 237, Sec. 1, Datong Rd.,  
Xizhi Dist., New Taipei City,  
Taiwan (R.O.C.)  
Tel: +886-2-7703-3000  
Email: sales@innodisk.com

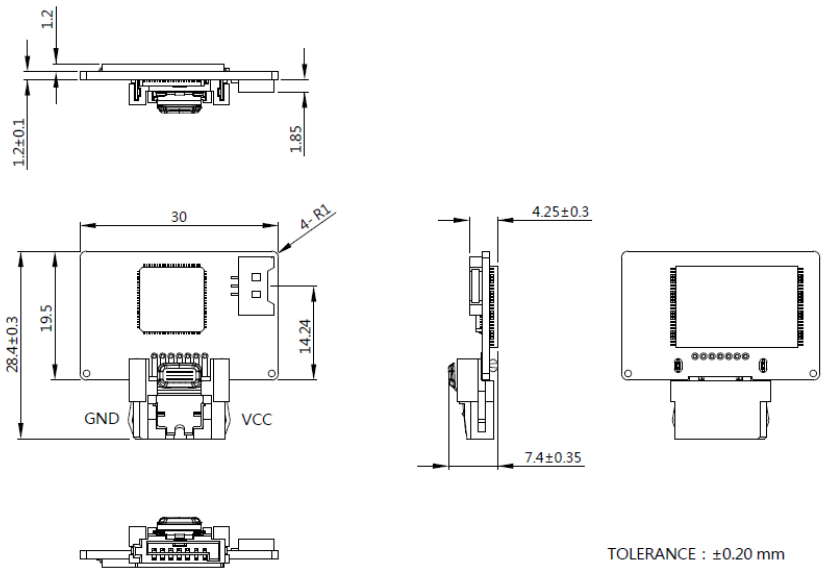
### Branch Offices:

USA  
[usasales@innodisk.com](mailto:usasales@innodisk.com)  
+1-510-770-9421  
Europe  
[eusales@innodisk.com](mailto:eusales@innodisk.com)  
+31-(0)40-282-1818  
Japan  
[jpsales@innodisk.com](mailto:jpsales@innodisk.com)  
+81-3-6667-0161  
China  
[sales\\_cn@innodisk.com](mailto:sales_cn@innodisk.com)  
+86-755-21673689  
[www.innodisk.com](http://www.innodisk.com)

© 2015 Innodisk Corporation.  
All right reserved. Specifications  
are subject to change without  
prior notice.

20160119

### Diagram



General Tolerance:  $\pm 0.2\text{mm}$

### Specifications

Interface	SATA III
Flash Type	iSLC
Capacity	8GB~64GB
Max. Channels	2
Sequential R/W (MB/sec, max.)	240 / 160
Max. Power Consumption	0.8W (5V x 173mA)
Thermal Sensor	WT only
External DRAM buffer	-
H/W Write Protect	-
ATA Security	√
S.M.A.R.T.	√
Dimension (WxLxH)	30 X 28.4 X 7.4 mm
Environment	Vibration: 20G @7~2000Hz Shock: 1500G @ 0.5ms Storage Temperature: -55°C ~ +95°C MTBF: 3 million hours

### Ordering Information

Operation Temp.	8GB	16GB	32GB	64GB
Standard Grade (0°C ~ +70°C)	DHSSL-08GD09BC1SCA	DHSSL-16GD09BC1SCA	DHSSL-32GD09BC1SCA	DHSSL-64GD09BCADCA
	DHSSL-08GD09BC1SCB	DHSSL-16GD09BC1SCB	DHSSL-32GD09BC1SCB	DHSSL-64GD09BCADCB
Industrial Grade (-40°C ~ +85°C)	DHSSL-08GD09BW1SCA	DHSSL-16GD09BW1SCA	DHSSL-32GD09BW1SCA	DHSSL-64GD09BWADCA
	DHSSL-08GD09BW1SCB	DHSSL-16GD09BW1SCB	DHSSL-32GD09BW1SCB	DHSSL-64GD09BWADCB

\* PN end with A: Pin8+ power cable / B: Pin8+ Pin 7

**innodisk**

[www.innodisk.com](http://www.innodisk.com)