

Datasheet

SATADOM-SL 3ME3 V2 series

- Built-in Pin 8 power supply
- Best boot drive solution for server and embedded system
- SATA 6Gb/s interface
- High IOPS to reduce boot up timing
- DRAM-less, 100% data integrity
- Innovative Firmware Algorithm
- Anti-vibration mechanical design
- Built in iData Guard



Introduction

Innodisk Serial ATA Disk on Module (SATADOM) supports SATA III standard (6.0Gb/s) interface with excellent performance, and SATADOM-SL 3ME V2 is designed as the smallest form factor size that could enhance compatibility with various design applications.

The innovative Pin8 uses the SATA connector itself as a power supply to drive the device without external cables. It could be connected directly to the SATA on-board socket on customers' system without additional power cable. Besides, the booting time for operation and the power consumption is less than hard disk drive (HDD), and can work under harsh environment compile with ATA protocol, no additional drives are required, and the SSD can be configured as a boot device or data storage device.

SATADOM-SL

3ME3 V2 series

Contact us for more information about the SATADOM-SL 3ME3 V2.

Innodisk is a service-driven provider of industrial embedded flash storage products and technologies, with a focus on the cloud computing, industrial/embedded, and aerospace and defense industries.

Headquarters (Taiwan)

5F., No. 237, Sec. 1, Datong Rd.,
Xizhi Dist., New Taipei City,
Taiwan (R.O.C.)
Tel: +886-2-7703-3000
Email: sales@innodisk.com

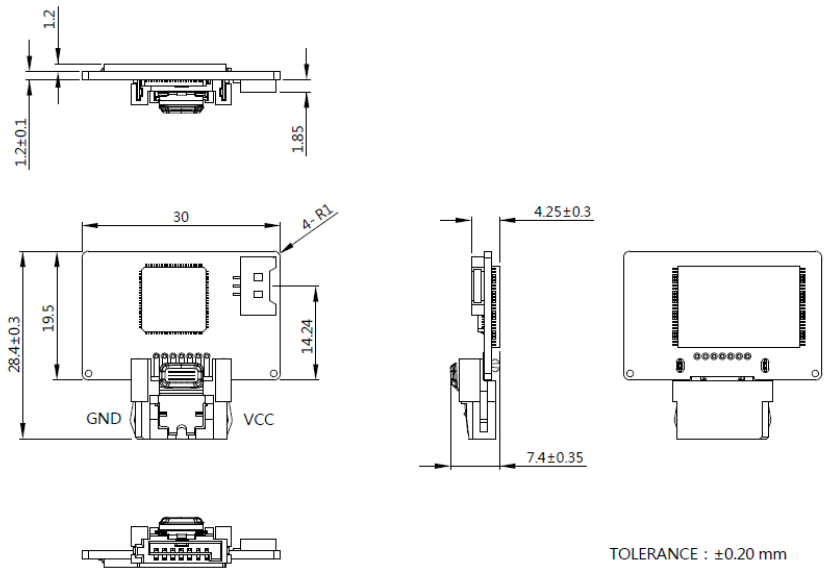
Branch Offices:

USA
usasales@innodisk.com
+1-510-770-9421
Europe
eusales@innodisk.com
+31-(0)40-282-1818
Japan
jpsales@innodisk.com
+81-45-594-7581
China
sales_cn@innodisk.com
+86-755-21673689
www.innodisk.com

© 2015 Innodisk Corporation.
All right reserved. Specifications
are subject to change without
prior notice.

20151012

Diagram



Specifications

Interface	SATA III
Flash Type	MLC
Capacity	8GB~128GB
Max. Channels	1
Sequential R/W (MB/sec, max.)	200 / 80
Max. Power Consumption	1.8W (5V x 370mA)
Thermal Sensor	WT only
External DRAM buffer	-
H/W Write Protect	-
ATA Security	√
S.M.A.R.T.	√
Dimension (WxLxH)	30 X 28.4 X 7.4 mm
Environment	Vibration: 20G @7~2000Hz Shock: 1500G @ 0.5ms Storage Temperature: -55°C ~ +95°C MTBF: 3 million hours

Ordering Information

Operation Temp.	8GB	16GB	32GB	64GB	128GB
Standard Grade (0°C ~ +70°C)	DESSL-08GD09SC1SCA	DESSL-16GD09SC1SCA	DESSL-32GD09SC1SCA	DESSL-64GD09SCADCA	DESSL-A28D09SCADCA
	DESSL-08GD09SC1SCB	DESSL-16GD09SC1SCB	DESSL-32GD09SC1SCB	DESSL-64GD09SCADCB	DESSL-A28D09SCADCB
Industrial Grade (-40°C ~ +85°C)	DESSL-08GD09SW1SCA	DESSL-16GD09SW1SCA	DESSL-32GD09SW1SCA	DESSL-64GD09SWADCA	DESSL-A28D09SWADCA
	DESSL-08GD09SW1SCB	DESSL-16GD09SW1SCB	DESSL-32GD09SW1SCB	DESSL-64GD09SWADCB	DESSL-A28D09SWADCB

*PN end with A: Pin8+ power cable
B: Pin8+ Pin 7

innodisk

www.innodisk.com