

Datasheet

2.5" SATA SSD

3ME3 series

- 2.5" SATA III solution for industrial field
- 7mm height mechanical design
- iSMART disk health monitoring
- High IOPS to enhance boot up timing
- DRAM-less, no data loss concern
- iData Guard Protection



Introduction

Innodisk 2.5" SATA SSD 3ME3 is SATA III 6Gb/s Flash based disk, which delivers excellent performance and reliability making it the ideal solution for a variety of applications, including embedded system, industrial computing, and enterprise field. 3ME3 2.5" SSD not only performs unmatched performance, but also designed with Innodisk owned technical knowhow to ensure the data integrity and highest levels of reliability.

2.5" SATA SSD

3ME3 series

Drawing

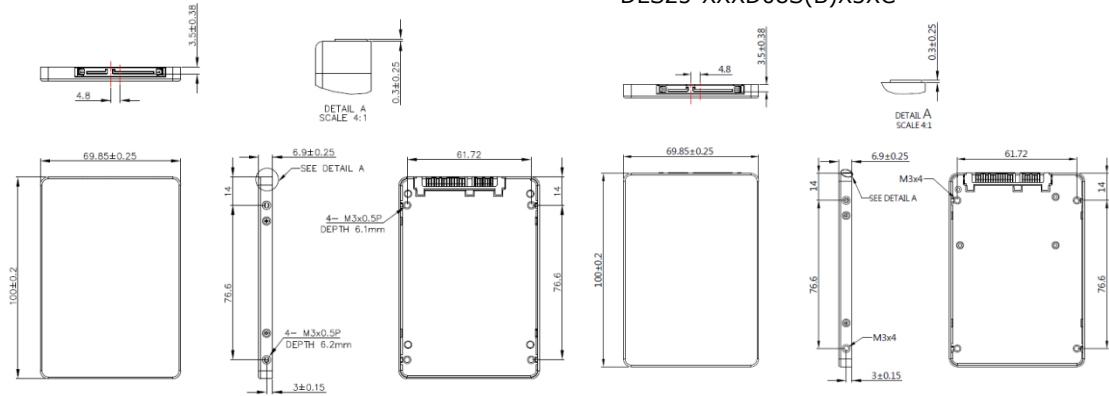
Contact us for more information about the 2.5" SATA SSD 3ME3

Innodisk is a service-driven provider of industrial embedded flash and DRAM storage products and technologies, with a focus on the industrial/embedded, aerospace and defense, and cloud computing industries.

* DES25-XXXD08S(B)X1XC

* DES25-XXXD09S(B)X1XC

* DES25-XXXD08S(B)X3XC



Specifications

Interface	SATA III
Flash Type	MLC
Flash P/E Cycle Limit	3000
Capacity	8GB~256GB (19nm) 16GB~512GB (15nm)
Max. Channels	4
Sequential R/W (MB/sec, max.)	415/200
Max. Power Consumption	2.1 W (5V x 428 mA)
Thermal Sensor	ST-Optional; WT-Supported
External DRAM Buffer	-
H/W Write Protect	-
Pin7 Power	-
ATA Security	Supported
S.M.A.R.T.	Supported
Dimension (WxLxH)	69.85 X 100.10 X 7.0 mm
Environment	Vibration: 20G @7~2000Hz Shock: 1500G @ 0.5ms Storage Temperature: -55°C ~ +95°C MTBF: 3 million hours

Headquarters (Taiwan)

5F., No.237, Sec. 1, Datong Rd.,
Xizhi Dist., New Taipei City,
Taiwan (R.O.C.)
Tel: +886-2-77033000
Email: sales@innodisk.com

Branch Offices:

USA
usasales@innodisk.com
+1-510-770-9421

Europe
eusales@innodisk.com
+31-040-282-1818

Japan
jpsales@innodisk.com
+81-3-6667-0161

China
sales_cn@innodisk.com
+86-755-21673689
www.innodisk.com

© 2014 Innodisk Corporation.
All right reserved. Specifications
are subject to change without
prior notice.

Ordering Information

20151112

Operation Temp.	8GB	16GB	32GB	32GB	64GB	128GB	256GB	512GB
Standard Grade (0°C ~ +70°C)	DES25-08GD09SC1SC	DES25-16GD09SC1DC	DES25-32GD09SC1DC	DES25-32GD08SC1QC	DES25-64GD08SC1QC	DES25-A28D08SC1QC	DES25-B56D08SC1QC	DES25-C12D08BC1QC
		DES25-16GD09BC1SC	DES25-32GD09BC1DC		DES25-64GD08BC3QC	DES25-A28D08BC3QC	DES25-B56D08BC3QC	
Industrial Grade (-40°C ~ +85°C)	DES25-08GD09SW1SC	DES25-16GD09SW1DC	DES25-32GD09SW1DC	DES25-32GD08SW1QC	DES25-64GD08SW1QC	DES25-A28D08SW1QC	DES25-B56D08SW1QC	DES25-C12D08BW1QC
		DES25-16GD09BW1SC	DES25-32GD09BW1DC		DES25-64GD08BW3QC	DES25-A28D08BW3QC	DES25-B56D08BW3QC	

innodisk

www.innodisk.com