

Datasheet

mSATA

3MG2-P series

- SATA 6.0 Gb/s interface
- JEDEC MO-300 standard dimension
- High IOPS by on-board DRAM design
- Intelligent error recovery system
- iSMART disk health monitoring
- iData Guard for abnormal power failure
- Zero mechanical interference
- DEVSLP supported



Introduction

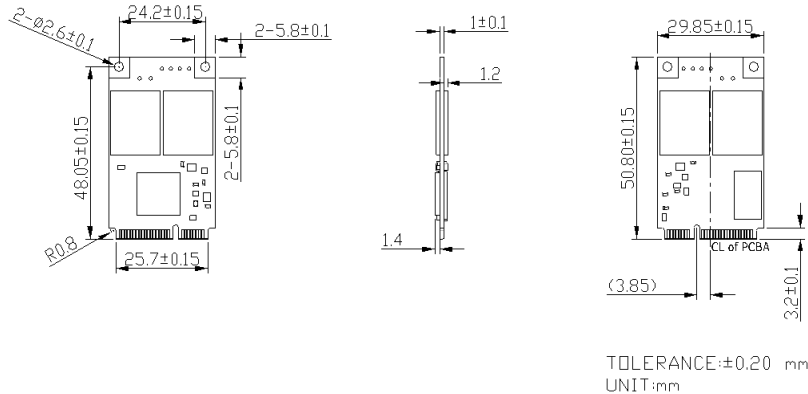
Innodisk mSATA 3MG2-P is SATA III 6Gb/s flash based disk, which delivers excellent performance, especially in random data transfer rate, and which offers reliability making it the ideal solution for a variety of applications, including embedded system, industrial computing, and enterprise field. 3MG2-P mSATA not only performs unmatched performance, but also designed with Innodisk owned technical knowhow such as iData Guard to ensure the data integrity and highest levels of reliability. Featuring L² architecture, the life span of the SSD is maximized by an evolved wear leveling algorithm.

mSATA 3MG2-P series

Contact us for more information about the mSATA 3MG2-P.

Innodisk is a service-driven provider of industrial embedded flash and DRAM storage products and technologies, with a focus on the industrial/embedded, aerospace and defense, and cloud computing industries.

Diagram



Specifications

Interface	SATA III
Flash Type	MLC
Capacity	16GB~512GB
Max. Channels	4
Sequential R/W (MB/sec, max.)*	520 / 290 MB/s
4KB Random (QD32) R/W (IOPS)**	67,000/71,000
Max. Power Consumption	2.2 W (3.3 V x 0.66 A)
Thermal Sensor	√
External DRAM Buffer	√
H/W Write Protect	Optional
ATA Security	√
S.M.A.R.T.	√
DEVSLP Mode	√ (min. power consumption 3mW)
Slumber Mode	√ (min. power consumption 30mW)
Dimension (WxLxH)	29.85 X 50.8 X 3.6 mm
Environment	Vibration: 20G @7~2000Hz Shock: 1500G @ 0.5ms Storage Temperature: -55°C ~ +95°C MTBF: 3 million hours
* Sequential performance based on CystalDiskMark 3.01 with file size 1000MB	
** Random performance based on IOMeter with Queue Depth 32	

Headquarters (Taiwan)

5F., No.237, Sec. 1, Datong Rd., Xizhi Dist., New Taipei City, Taiwan (R.O.C.)

Tel: +886-2-77033000

Email: sales@innodisk.com

Branch Offices:

USA

usasales@innodisk.com

+1-510-770-9421

Europe

eusales@innodisk.com

+31-(0)40-282-1818

Japan

jpsales@innodisk.com

+81-45-594-7581

China

sales_cn@innodisk.com

+86-755-21673689

www.innodisk.com

© 2015 Innodisk Corporation. All right reserved. Specifications are subject to change without prior notice.

20151110

Ordering Information (Please refer to TPS for detail)

Operation Temp.	16GB	32GB	64GB	128GB	256GB	512GB
Standard Grade (0°C ~ +70°C)	DGMSR-16GD81SCASN	DGMSR-32GD81SCADN	DGMSR-64GD81SCAQN	DGMSR-A28D81SCAQN	DGMSR-B56D81SCAQN	DGMSR-C12D81SCAQN
Industrial Grade (-40°C ~ +85°C)	DGMSR-16GD81SWASN	DGMSR-32GD81SWADN	DGMSR-64GD81SWAQN	DGMSR-A28D81SWAQN	DGMSR-B56D81SWAQN	DGMSR-C12D81SWAQN

innodisk

www.innodisk.com